

MAKE A ROOM WITH A VIEW



PREVIEW

LIFT & SLIDE
PATIO

Prestige
LIFT & SLIDE PATIO DOOR

SLIM, MULTI-TRACK ALUMINIUM LIFT & SLIDE
WITH EXCEPTIONAL THERMAL PERFORMANCE



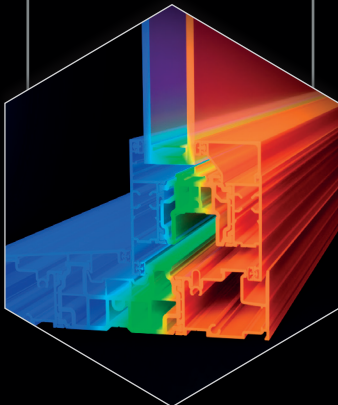


Introduced to complete the Prestige door range and fill the need for a high performance patio – the Prestige Lift & Slide will enable you to offer a premium door that maximises views, perfectly complementing the existing Prestige Bi-fold when customers are choosing a panoramic door.

All delivered with the no-nonsense Part L compliance you'd expect from Sheerline. Coupled to ultra slim sightlines with interlocks as slim as 52mm, our latest product introduction will help you unlock the potential that offering a perfectly matched, high performance aluminium range brings.

THE BENEFITS OF THE LIFT AND SLIDE PATIO:

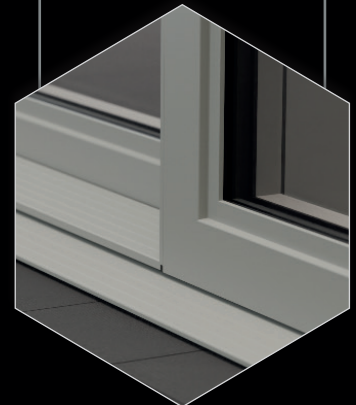
Exceptional thermal performance using Thermlock® technology



Based on our proven Prestige range with the same clip-in bead system



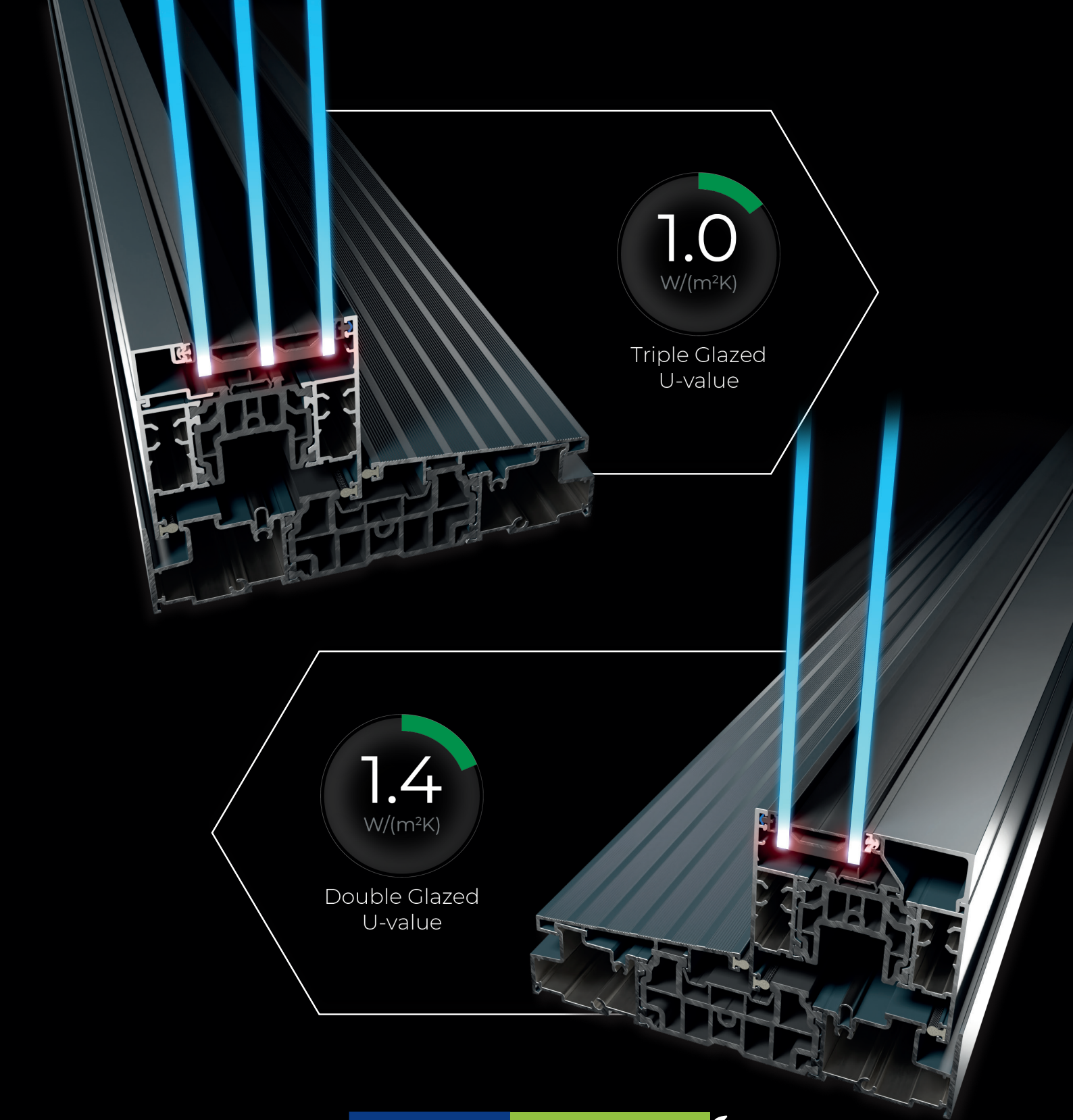
Available in stepped and contemporary styles



SUITES IN PERFECTLY WITH THE REST OF THE SHEERLINE RANGE

Available in the same style options as the rest of our high-performance aluminium range, the new patio door will integrate seamlessly to provide the perfect whole house solution, all perfectly matched.





PART L Compliant ✓

Joining the rest of the Prestige range, our Lift & Slide Patio offers industry-leading thermal performance and is fully Part L compliant, able to achieve a U-value of 1.4 with standard double glazing which is perfect for Part L compliance, and triple-glazed U-value¹ of 1.0 W/m²K to meet more stringent project requirements.



¹U-values calculated to BS EN 14351-1:2016, meeting the requirements of Approved Document L 2021. For newbuild – refer to individual project SAP assessment for actual requirements



PRODUCT SPECIFICATION

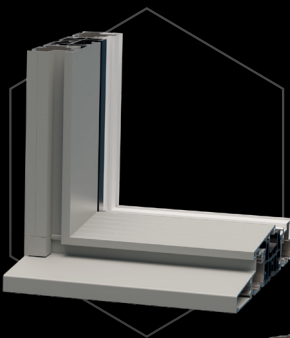
Designed to cover the widest range of requirements possible, from modest replacement projects to vast new build and extension requirements, the new Prestige Lift & Slide patio is designed to operate flawlessly at any size.

<p>MAX SASH WEIGHT</p> <p>400kg</p> <p>using proven easy-glide hardware (250kg standard)</p>	<p>MAX WIDTH</p> <p>6.5m</p> <p>unjointed</p>	<p>MAX HEIGHT</p> <p>2.5m</p>	<p>Stock colours:</p> <p>PURE WHITE, HIPCA GLOSS WHITE, ANTHRACITE GREY & JET BLACK</p>
---	--	--------------------------------------	--

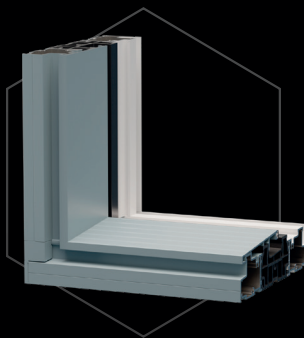
- **Part F (ventilation) compliant** via separate 25mm head vent which doubles as a frame extension
- Frame can be **delivered in flat pack** for restricted site access

Non-stock colours on **short lead times** plus **dual colour available** as standard

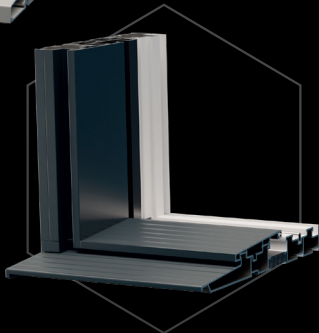
CHOICE OF 3 WEATHER RATED THRESHOLDS:



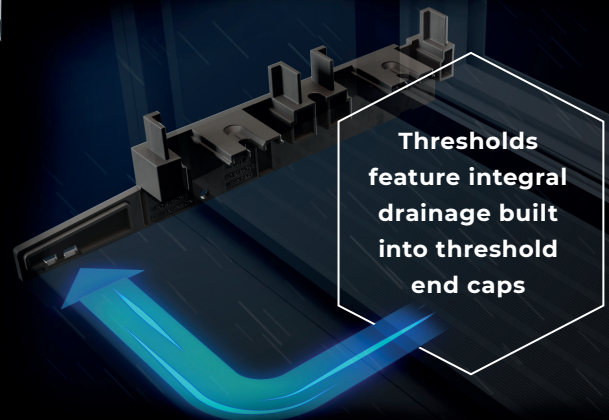
Standard Outer Frame
with Clip-on Cill Nose



Standard Outer Frame
(38mm high)



Low Threshold with Ramp
(25mm high) tested to the requirements of Part M.
Only available in double track



Thresholds feature integral drainage built into threshold end caps



Concealed zero threshold available for seamless transition

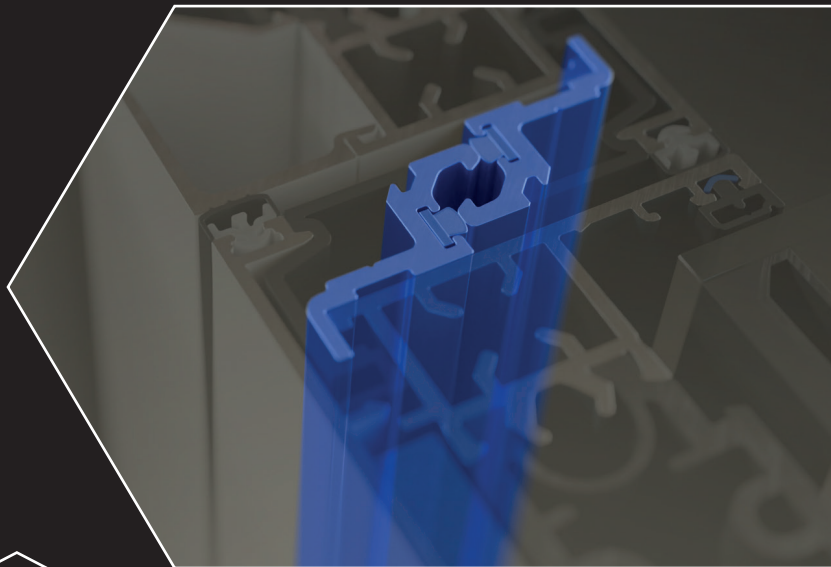


SLIM & STYLISH

Slim minimalist looks which aesthetically match the rest of the Sheerline range, maximise glass area to make the most of the expansive views homeowners value.

- **Super slim sightlines** of 106mm frame & sash
- **20-31% slimmer** than market competitors
- Interlock:
 - **80mm as standard**
 - **52mm ultra slim option**

Available with contemporary and stepped sash to perfectly **match the rest of the Sheerline range**

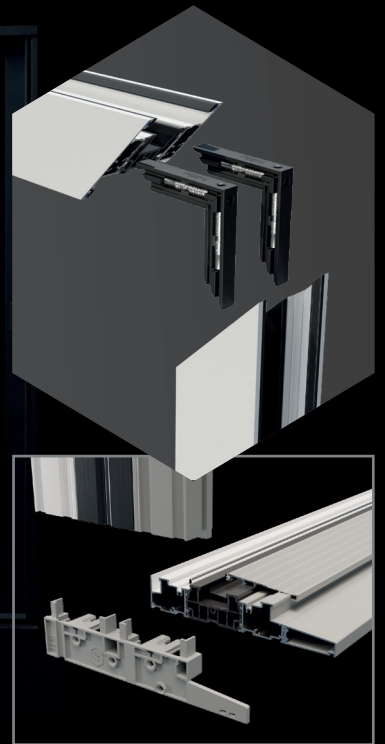


AND SECURE

Like the rest of our products the Lift & Slide patio has been designed to offer high levels of security, with PAS24 accreditation as standard.

- **For a neater look and less snagging**, a unique retracting hook-lock with flush-fitting keeps eliminate protruding locking pegs on jambs
- High security interlocks bind sashes together to **stop unwanted intruders**. Rated to 4.5KN
- **PAS24** as standard
- **SBD option** will be available

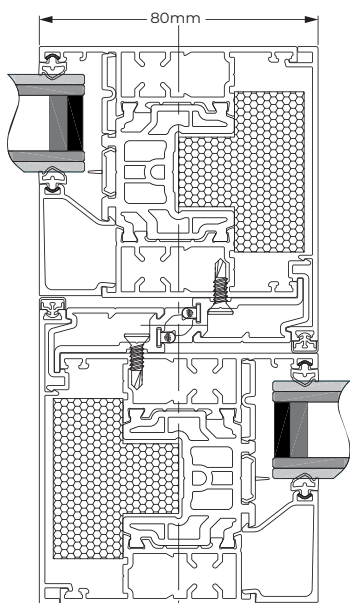




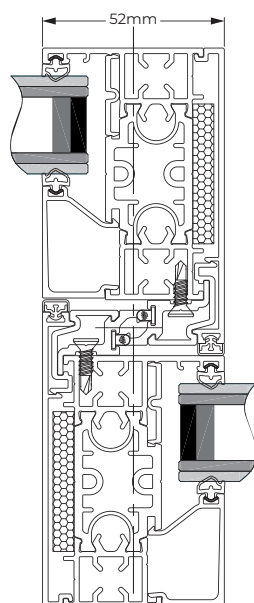
EASY TO FABRICATE

Based around many standard Prestige components, stockholding requirements are reduced while using our normal patented method of construction ensures production staff will find fabrication familiar, helping speed up manufacture.

- Features standard Prestige cleats, chevrons, gaskets and georgian bars for **reduced stock holding**
- **Patented adjustable corner cleating** method featured on sash
- **Clip-in beads** to suit 28/36/44mm glazing to **speed up installations**
- **Frame to be square cut** for assembly with end cap frame joint
- **Compatible** with standard handle types, finishes and styles



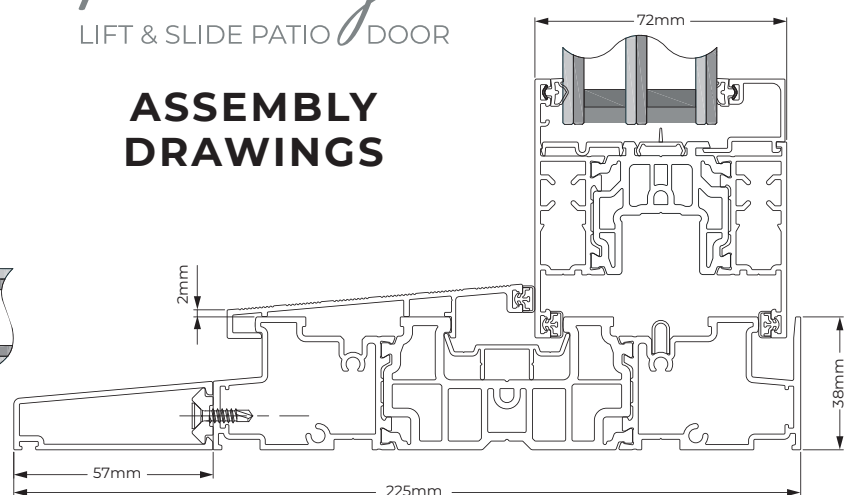
STANDARD INTERLOCK



SLIM INTERLOCK

Prestige
LIFT & SLIDE PATIO DOOR

ASSEMBLY DRAWINGS



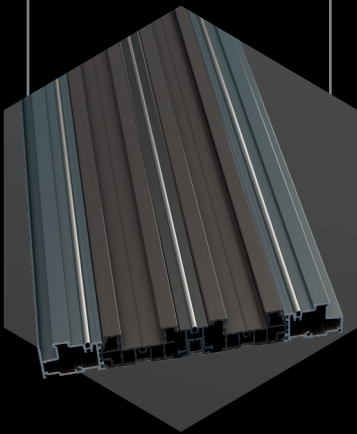
CROSS SECTION SHOWING STANDARD OUTER FRAME WITH CLIP-ON CILL NOSE



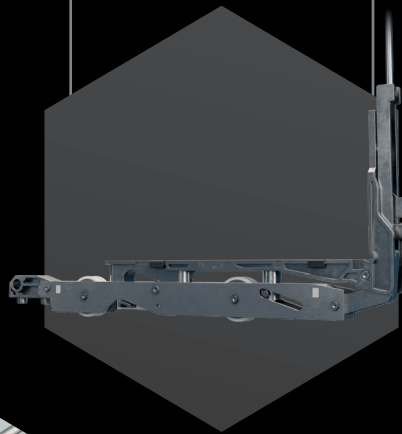
SUPER SMOOTH OPERATION

Running on stainless steel tracks and using specially modified high-performance running gear ensures doors glide smoothly during operation.

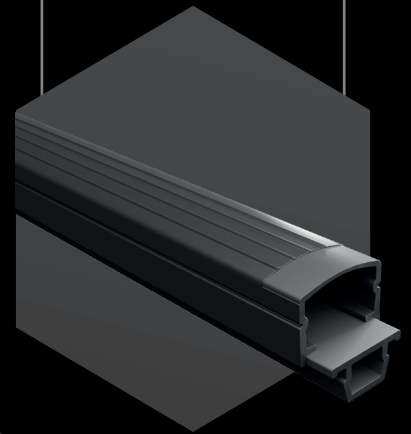
Available in dual and triple track options to cover most requirements



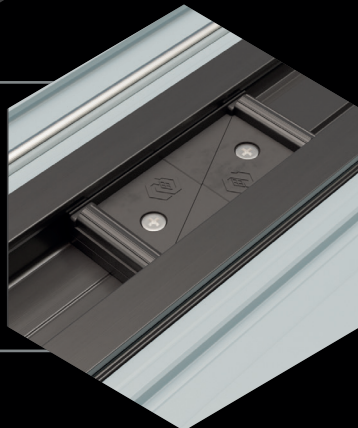
Utilises bespoke Lift & Slide gearing based on a proven platform to ensure super smooth and reliable operation



All gaskets supplied with low friction coating to the contact surfaces for smooth performance and reliable sealing



Patented sealing arrangement helps ensure doors are weathertight



Flush jambs prevent snagging and helps keep visual lines clean



Insulated with **THERMLOCK® TECHNOLOGY**

Manufactured in-house, we've designed and created our own unique Thermlock® multi-chambered, thermal breaks. Hidden away inside every Sheerline window and door, these unique insulating chambers create products with class leading thermal performance.



Insulated with
THERMLOCK®
technology

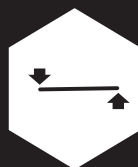
Thanks to the Thermlock® technology and our patented corner construction method we're able to drive down waste and lock quality standards in.



**MULTI
CHAMBERED
THERMAL
BREAK**



**WIDER
INTEGRATED
ONE-PIECE
DESIGN**



**RIGID AND
MORE
STABLE**



**WARMER
THAN
POLYAMIDE**

NEW **THERMAL CALCULATOR**



We've designed and developed a quick and easy to use thermal calculator, to enable you to run Energy and U-Value ratings for the whole Sheerline range instantly.

Stripping away any uncertainty about the new stricter building regulations, rest assured the complete Sheerline range is fully Part L compliant.

This simple, easy to use tool is free of charge for valued Sheerline customers – contact your sales manager for more information.



FLAWLESS MINIMALISM

Restrained elegance highlights this patio systems quality

